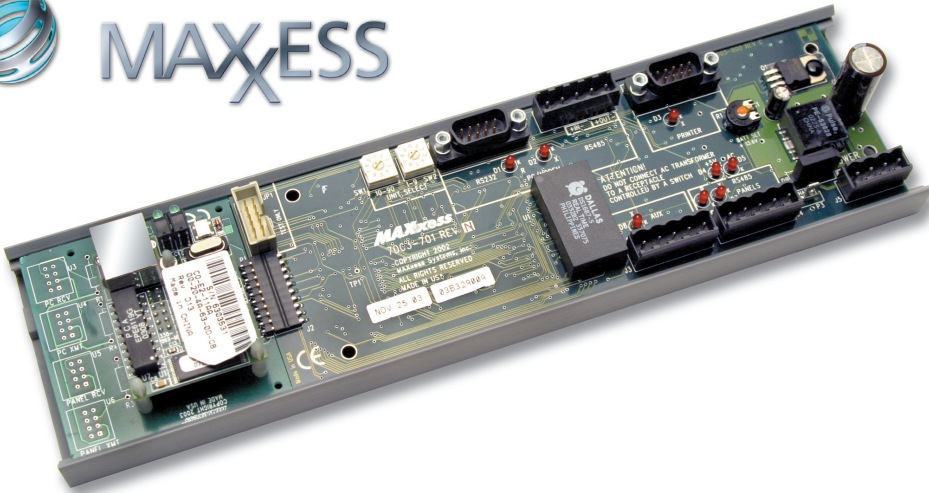




MAXess



Extends AXess™ NS Software Capability

The Remote Access Memory Module™ (RAMM) is an add-on for the AXess™ NS system that enhances panel performance in direct connect, dial-up and LAN/WAN operation. Reliability is improved in installations using RAMM and a local data bus by offloading many of the operations done by the AXess NS computer. In addition, it provides several new features to improve system performance in larger systems.

The Remote Access Memory Module can handle the following access control functions:

- Full operation of dependencies, alarm zones, elevator floor control even if off-line
- Up to 410 sensors per RAMM
- Up to 100 alarm zones per RAMM
- Up to 1,000 access levels per RAMM
- Up to 2700 timed events
- Up to 256 schedules with 50 time intervals per RAMM
- Up to 200 input/output dependencies
- Up to 999 holidays with three types of holidays per RAMM
- Up to 5 elevators per RAMM

Reliability and Enhanced Capabilities

The Remote Access Memory Module adds many features to the BarLock™ system for use in stand-alone or high reliability situations. By offloading much of the configuration from the AXess NS computer, overall system response is significantly improved. If the computer goes down, the system continues to operate without degradation. Inter-panel operations, such as input/output dependencies and global anti-passback continue to function.

Improved Throughput

All communication with the Remote Access Memory Module and the PC, whether directly connected or dial-up is at 38,400 baud with a large data block size. This results in transactions being sent to the PC significantly faster than directly connected panels, leaving more time for the computer to perform other tasks or communicate with other units.

Ethernet Interface Option

An Optional Ethernet interface provides connection to Barlock panels utilizing a local or wide area network. The interface uses standard 10-baseT connection to the network with field programmable IP address. The interface includes password protection, proprietary protocol and optional 128 bit data encryption for network security.

Elevator Control

The Remote Access Memory Module supports up to five elevators with up to 1,000 access level combinations. Operation is significantly faster than when relying on the computer to make the floor decisions.

RAMM™

Remote Access Memory Module

Standard Features

- *Optimizes AXess NS performance by providing local control of the BLP network, including access levels, global I/O dependencies, elevator floor control and local event buffering (10,000 events)*
- *Provides reliable access control communication between AXess NS host and the BLP network via LAN/WAN, modem, RS-232, RS-485 or fiber optic networks*
- *Maintains all configuration information locally, even during extended power/c communications outages*
- *Each RAMM controls up to 10 BLPs, including global anti-passback with a 100,000 badge capacity*
- *Enhanced dial-up communications (up to 38,400 baud) allows one AXess NS host PC to efficiently control multiple RAMM modules, each attached to a BLP network*
- *Prioritized alarm downloading*
- *Firmware conveniently flash upgradeable over network connection*
- *Easily installs in new or existing systems, supporting MAXess enhanced communication protocol*
- *Mounts in a BLP enclosure*
- *UL Listed ALVY. BP6777*

Companion Products

- *AXess NS, AXess EXpress Security Management Software*
- *Barlock 200 Series Processors*
- *Input Module*
- *Enclosure Kit*
- *Can also be supported with the eAXess family of software*

RAMM™ Remote Access Memory Module

Specifications



MAXxESS

MAXxess Systems, Inc.

REQUIREMENTS

- BLP must be version 98-056 or later
- AXxess NS with multiram v 3.06 or later

ELECTRICAL

- 16 volt/20VA transformer included (except export)
- 12 volt, 6 amp/hour battery required for 12 hour minimum backup operation
- Built in 12 volt float charger
- Low battery voltage dropout

MECHANICAL

- RAMM Circuit Board 8.52" H x 2.76" W x 1.7" D (216.41mm x 70.10mm x 43.18mm)
- Unit mounts on second DIN rail in existing BLP-200 enclosure or in its optional enclosure 14.3" H x 14.3" W x 3.6" D (363mm x 363mm x 92mm)

ENVIRONMENTAL

0°C to 50°C (32°F to 122°F)

ACCESSORIES

- 16 volt/ 20VA transformer (except export)
- 10' (3m) transformer to PCB power cable with 1' (.3m) battery cable (included)
- DIN mounting kit (included)

OPTIONS

- Serial output cable for printer or terminal
- Fiber option module for interfacing to the computer or panels using fiber optics
- 10 MB Ethernet interface

RAMM comes with a two-year limited warranty.

Headquarters

1040 North Tustin Avenue
Anaheim, CA USA
92807

Tel 714 772 1000

800 842 0221

Fax 714 399 9358

Email sales@maxxess-systems.com

Service & Technical Support

Tel 714 772 1000

800 842 0221

Fax 714 399 9358

Email support@maxxess-systems.com

MAXxess Systems Europe, Ltd.

Europe, Middle East, Africa

Doncastle House,
Doncastle Road,
Bracknell, Berkshire, UK
RG12 8PE

Tel +44 (0) 870 234 7654

Fax +44 (0) 870 234 7655

Email sales@maxxess-systems.com

Service & Technical Support

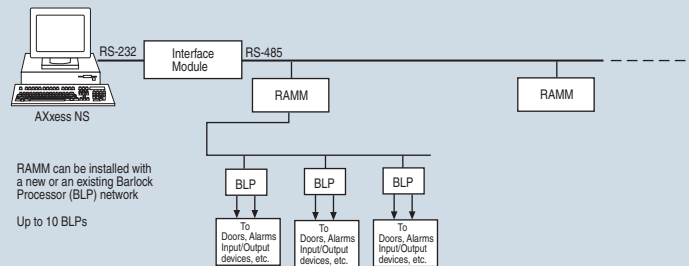
Tel +44 (0) 870 234 7654

Fax +44 (0) 870 234 7655

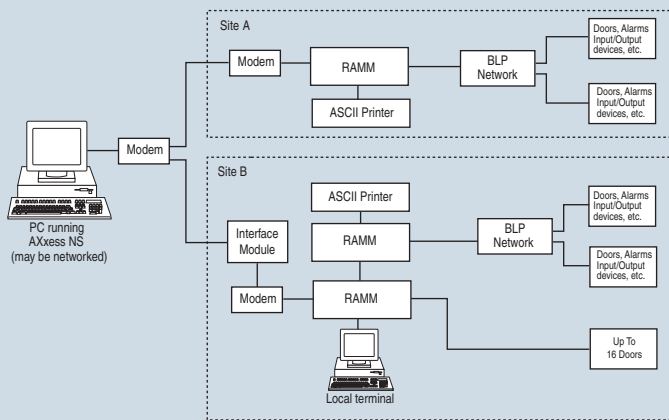
Email support@maxxess-systems.com

www.maxxess-systems.com

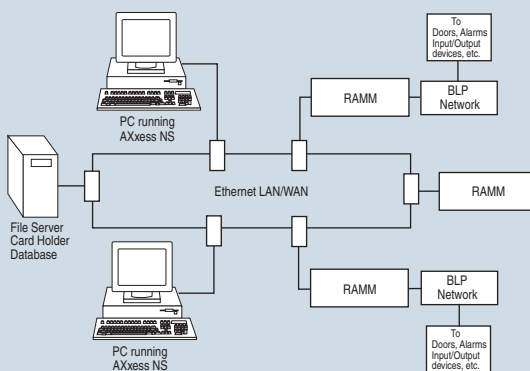
RAMM — RS-232/485 Configuration



RAMM — Modem Configuration



RAMM — LAN/WAN Configuration



Information furnished by MAXxess is believed to be accurate and reliable. However, no responsibility is assumed by MAXxess for its use nor for any infringements of patents or other rights of third parties that may result from its use. No license is granted by implication or otherwise under any patent rights of MAXxess Systems, Inc. Specifications subject to change without notice.