

Category

Loudspeakers

Code

C86/20-TW

Range

Sound projectors

Description

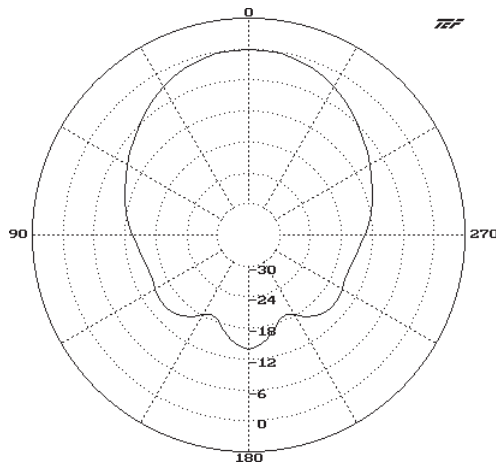
20 W Sound Projector

Sound projector with an aluminium alloy housing and tropicalised galvanised steel grille on the front. Equipped with supporting bracket that slides along the housing. Waterproof (IP66). The input transformer for connection to constant-voltage lines is fitted with sockets for adjusting the output power delivered. A lug ensures proper connection to earth.

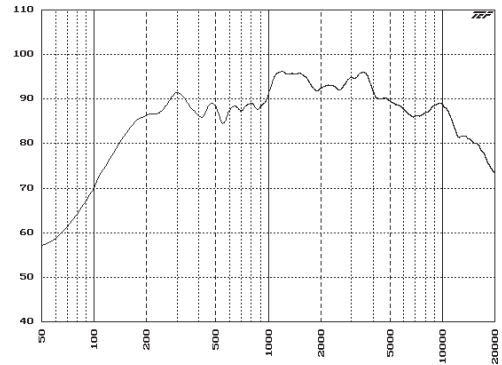
Technical data

Rated output power	20 W
Adjustable output power	20 - 10 - 5 W
Line voltage	50 - 70 - 100 V
Frequency response	150 ÷ 15.000 Hz
Efficiency (1W/1m)	90 dB
Acoustic pressure (Pnom/1m)	103 dB
Dispersion angle (2 kHz)	90°
Length of connecting cable	~ 70 cm
Weight	2,35 kg

Polar diagram (2kHz)



Frequency response



Layout dimensions

