

Category

Loudspeakers

Code

TR1-B

Range

Horns with separate unit

Description

Exponential Horn Speaker Unit

Exponential horn speaker unit, made of grey (RAL 7000) UV stabilized polypropylene. It has a circular horn and a swivelling bracket for mounting it on a wall. It is possible to mount any one of the following units: UT35, UT35-T or UT60-T. The specific characteristics of the speaker units and dynamic units are indicated in the following tables.



Speaker technical data*

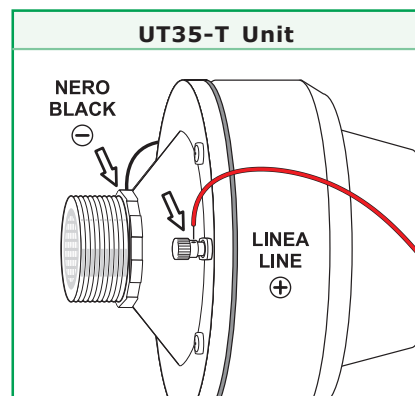
Frequency response	350 ÷ 5.000 Hz
Efficiency (1W/1m)	108 dB
Acoustic pressure (Pnom/1m)	123 dB
Dispersion angle (2 kHz)	50°
Weight	1,2 kg

* misure di riferimento effettuate con unità UT35-T a bordo.

Unit technical data*

	UT35	UT35-T	UT60-T
Rated output power	35 W	35 W	60 W
Adjustable output power	-	35 - 20 - 10 W	60 - 40 - 20 W
Impedance	16 Ω	-	-
Line voltage	100 V	100 V	100 V
Weight	1,3 kg	1,75 kg	2,1 kg

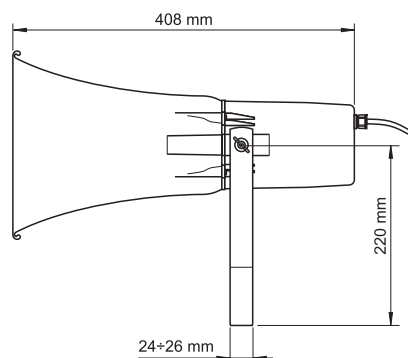
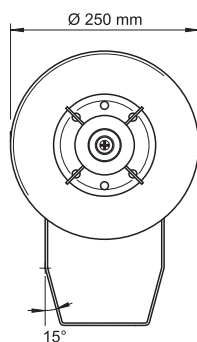
Connections



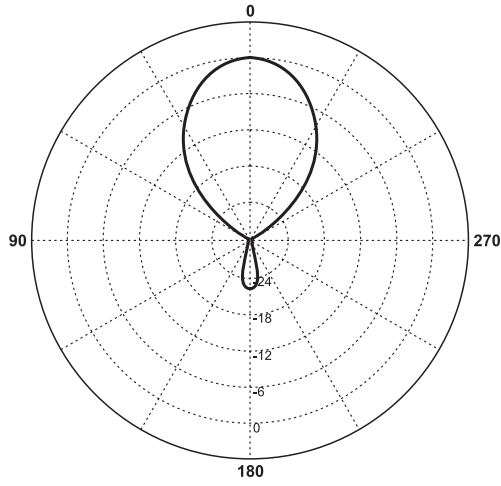
UT35-T Unit			
LINE=100V	35 W	20 W	10 W
FILI	Arancio	Rosso	Marrone
WIRES	Orange	Red	Brown
Comune - Common = Nero - Black			

UT60-T Unit			
LINE=100V	60 W	40 W	20 W
FILI	Arancio	Rosso	Marrone
WIRES	Orange	Red	Brown
Comune - Common = Nero - Black			

Layout dimensions



Polar diagram (2kHz)



Frequency response

• Reference measurements carried out with a UT35-T unit •

