

Category

Loudspeakers

Code

C92/40-T

Range

Wall-mounting Loudspeakers

Description

40 W Speaker Unit

Box-type speaker unit for wall mounting made of white^(*) shockproof semi-expanded polystyrene with a metal grille on the front. Suitable for indoor installation and ideal both for background music and for speech. A suitable mechanical support enables it to be secured to a wall. If the architecture of the environment in which it is installed is such that a cluster configuration is required in order to achieve correct sound diffusion, it is possible to use special brackets for mounting groups of 2, 3 or 4 speaker units (scatter angles of 180°, 270° or 360° respectively). Two loudspeakers (woofer and tweeter).

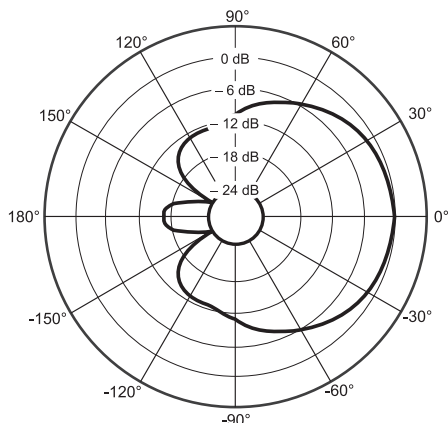
() also available in black (code C92/40-TN).*



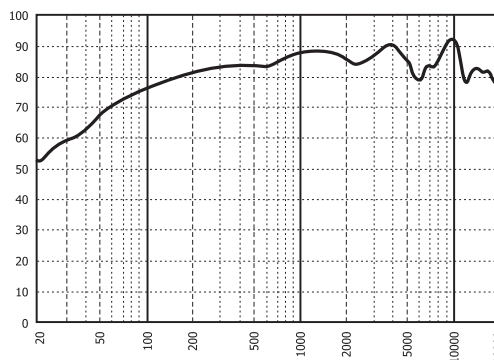
Technical data

Rated output power	40 W
Adjustable output power	40 - 20 - 10 - 5 W
Line voltage	50 - 70 - 100 V
Frequency response	100 ÷ 18.000 Hz
Efficiency (1W/1m)	87 dB
Acoustic pressure (Pnom/1m)	103 dB
Dispersion angle (2 kHz)	120°
Weight	2,6 kg

Polar diagram (2kHz)



Frequency response



Layout dimensions

