

Category

Loudspeakers

Code

C86/20-2TW

Range

Sound projectors

Description

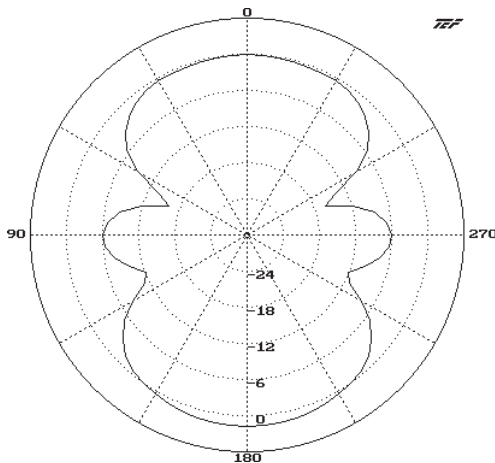
10+10 W Two-directional Sound-projector

Two-directional sound projector with an aluminium alloy housing and tropicalised galvanised steel front grilles. Equipped with a fixed bracket for securing it easily to a wall. Waterproof (class IP66). Complete with two loudspeakers and input transformer for connection to constant-voltage lines with sockets for control of the output power delivered. A connecting lug ensures correct connection to earth.

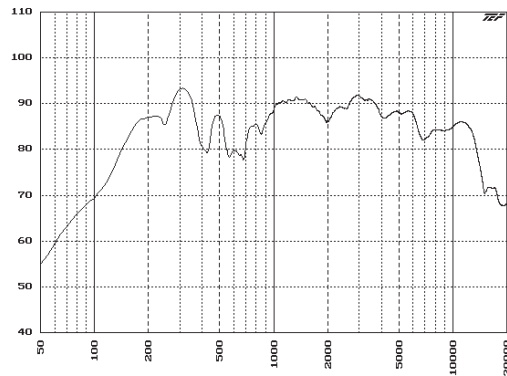
Technical data

Rated output power	20 W
Adjustable output power	20 - 10 - 5 W
Line voltage	50 - 70 - 100 V
Frequency response	150 - 15.000 Hz
Efficiency (1W/1m)	87 dB
Acoustic pressure (Pnom/1m)	100 dB
Dispersion angle (2 kHz)	2 x 110°
Length of connecting cable	~ 70 cm
Weight	2,85 kg

Polar diagram (2kHz)



Frequency response



Layout dimensions

